

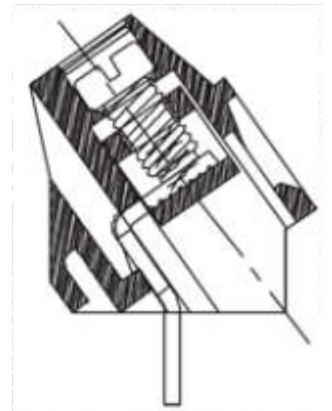
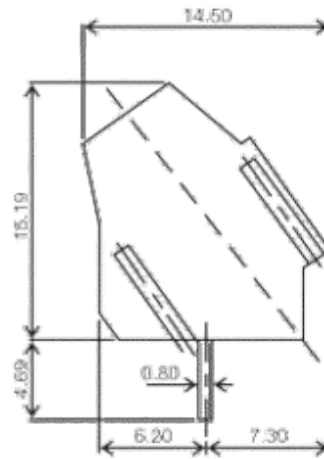
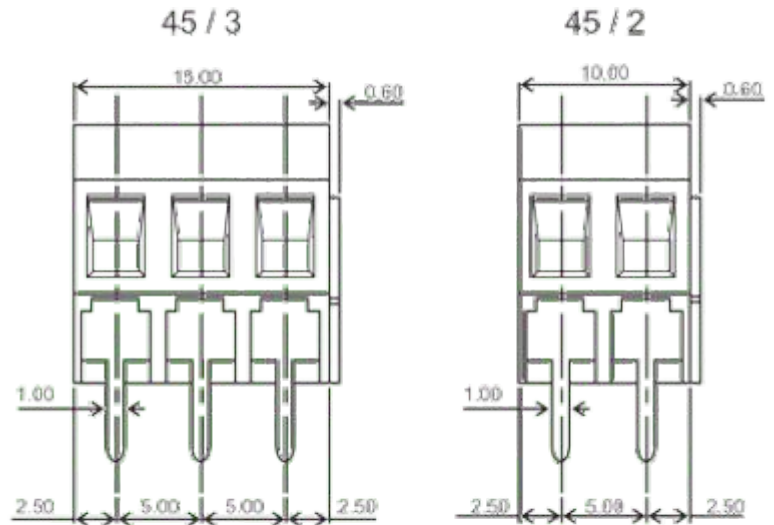


Manufacturer of PCB Terminal Blocks, Fuse Holders, Barrier Terminals, & Switches

Screw Type (Cage-Clamp Design) Connectors

Series 45

[Model : 45/2, 45/3]



TECHNICAL SPECIFICATIONS :

Pitch	: 5.00 mm
Nominal Rating	: 15A/300V
Dielectric Strength	: > 2kV
Moulded Material	: PA66 - UL94 V0 or V2
Insulation Resistance	: > 1000 M Ω @ 500 Vdc
Terminal	: Tin Plated Copper Alloy
Wire Cage	: Nickel Plated Brass
Screw	: M3 x 0.50 mm : Brass Nickel Plated Suffix "P" : MS Trivalent Zinc Plated Suffix "C"
Wire Size	: 2.5 mm ²
Maximum Torque	: 0.30 - 0.40 Nm

ORDERING CODE

Series	Poles	Grade
--------	-------	-------

→ 45/2 P ←

Number of Poles: 2 or 3

Grade : P or C

P = Professional Grade

C = Economy Grade

Approval Data

UL : 300V / 12A / 26-14 AWG

cUL : 300V / 12A / 26-14 AWG

CE : 300V / 15A / 26-14 AWG