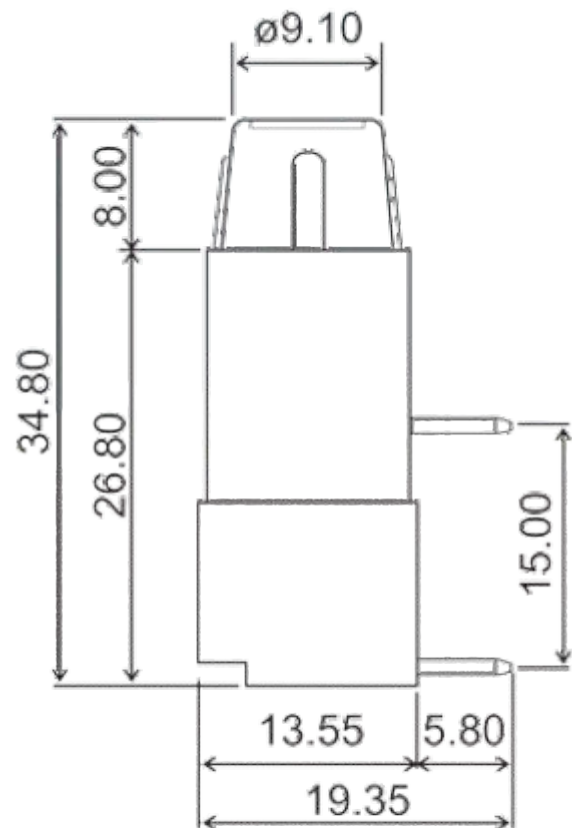
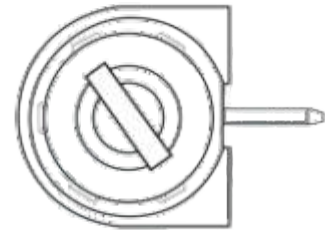




Manufacturer of PCB Terminal Blocks, Fuse Holders, Barrier Terminals, & Switches

**Model PBF 2**

*Fuse Holders*



**TECHNICAL SPECIFICATIONS :**

Mounting Style	: PCB Type
Nominal Rating	: 6.30A/250V
Permissible Operating Temp	: $>-20^{\circ}\text{C}$ to $+85^{\circ}\text{C}$
Permissible Soldering Temp	: $270^{\circ}\text{C}$ for 5 sec max
Moulded Material	: PA 66 - UL94 V0 or V2 - Glass Filled
Insulation Resistance	: $> 1000 \text{ M } \Omega$ @ 500 Vdc
Contact Resistance	: $10 \text{ m } \Omega$ max
Terminal	: Tin Plated Copper Alloy
Approx Weight	: 2.5 gms
Fuse Link	: 5 X 20 mm

Approval Data  
CE :250V / 6.3A

**ORDERING CODE**  
**PBF 2**