

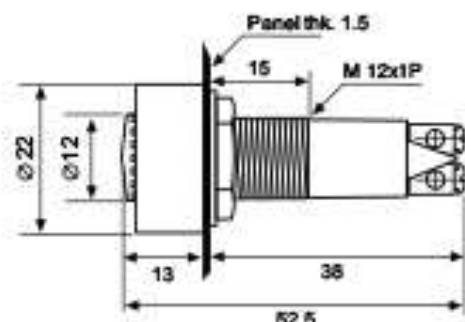
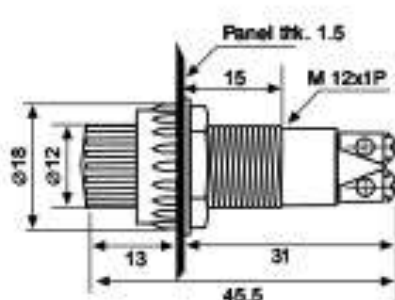
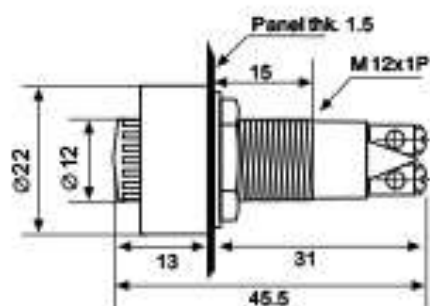
INDICATOR LIGHTS

(BUILT-IN LED / NEON)

TYPE : IL.12

ISSUE - PIS/ML 12

DATE : 01.07.09

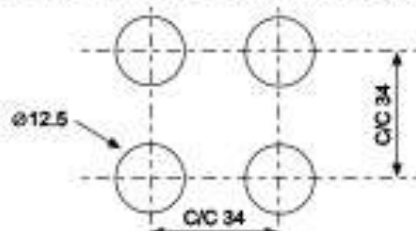


SPECIFICATIONS

MECHANICAL

MAIN HOUSING : NYLON
LENS MATERIAL : ACRYLIC
LENS COLOUR : RED, GRN., AMB., CLR., BLU.
REFLECTOR : ABS CHROME PLATED
HEX. NUT : NYLON
TERMINAL : BRASS NI PLATED
CONNECTION : SCREW
WEIGHT : 10 GRAMS APPROX.

PANEL CUT OUT & MIN. SPACING



All dimensions are in mm

ELECTRICAL

LAMP	RATED VOLTAGE	MIN. OPERATING VOLTAGE	CURRENT DRAWN
LED Super Bright	12V DC	4.34V	10.17mA
	24V DC	7.95V	10.48mA
	48V DC	17.73V	9.47mA
	220V AC	24.00V	2.00mA
Neon(6mm)	110V AC	71.90V	1.74mA
	220V AC	85.60V	2.46mA

Voltage Breakdown : > 1000 V AC (Terminal to Housing)

Insulation Resistance : > 1000 MΩ @ 500 V DC

ORDERING CODE

SERIES	LENS COLOUR	RATED VOLTAGE		LENS HOLDER TYPE
		LED	NEON	
IL.12	R - RED	1 - 12VDC	5 - 110VAC	1-REFLECTOR 2-KNURLED
	G - GREEN	2 - 24VDC	6 - 220VAC	
	A - AMBER	3 - 48VDC		
	C - CLEAR	4 - 220VAC		
	B - BLUE			

→ IL.12 - R - 2 - 1 ←