

Slim Socket PG 9

S-112/9 - PG-9-2Pole + Earth

S-112/7 - PG-7-2Pole + Earth

(Colour Black/Grey)



TECHNICAL SPECIFICATION

TECHNICAL SPECIFICATION

Contact Distance	11 mm	Insulation Class	AS PER VDE 0110-1/89
Nominal Voltage		Contact Mat.	Phosphor bronze
AC	Max. 250V		Silver Plated
DC	Max. 300V	Square Barrel	Brass, Silver Plated
Nominal Current	10A	H.V. Breakdown Test	2KV AC for 1 min.
Operation Current	16A	Gasket Material (Opt.)	Operating Temp.
Contact Resistance	Max. 20 m Ohms	Nitrile/TPE	-40°C + 90°C
MAX. Conduc. Cross-Sect	1.5mm ²	Silicon	-40°C + 125°C
Body Material	Nylon (GF)	Product Weight	21.00 gm
Cable (OD) PG9	4.5 - 7mm	Packing	25 Nos. with fixing Screw & Gsk.

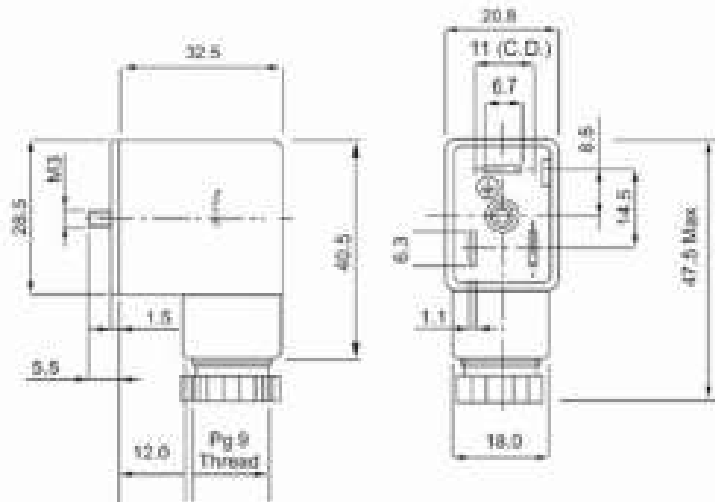


525 / 2A, Om Namah Shivay Apartment, 1st Floor, Office No. 9, Near Modi Ganpati Temple, Narayan Peth, Pune - 411 030.
(020) 2445 0609 | info@geniuselectronicsindia.com

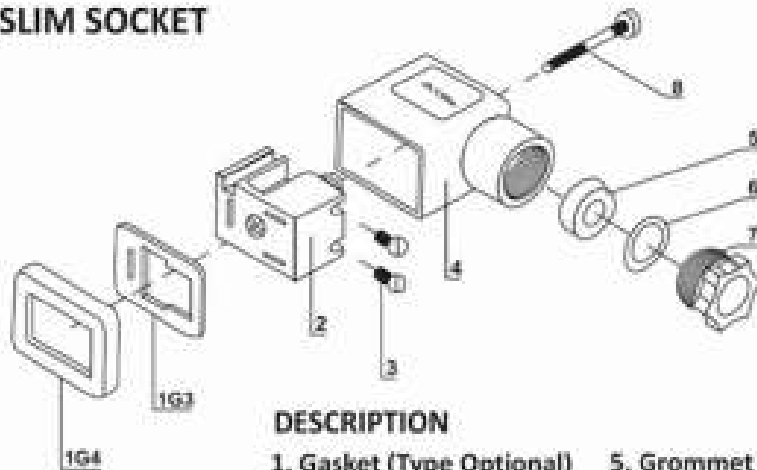
TECHNICAL SPECIFICATION

Cable (OD) PG7	4 - 6mm	Carton Packing Domestic	500 Nos (25x20 packets)
Protection Class	IP 65 EN60529	Carton Packing Export	1000 Nos (25x40 packets)

TECHNICAL DIAGRAM



SLIM SOCKET



DESCRIPTION

- | | |
|---------------------------|---------------|
| 1. Gasket (Type Optional) | 5. Grommet |
| 2. Terminal block | 6. Washer |
| 3. Cable fixing screws | 7. Gland-nut |
| 4. Casing | 8. Fixing scw |